

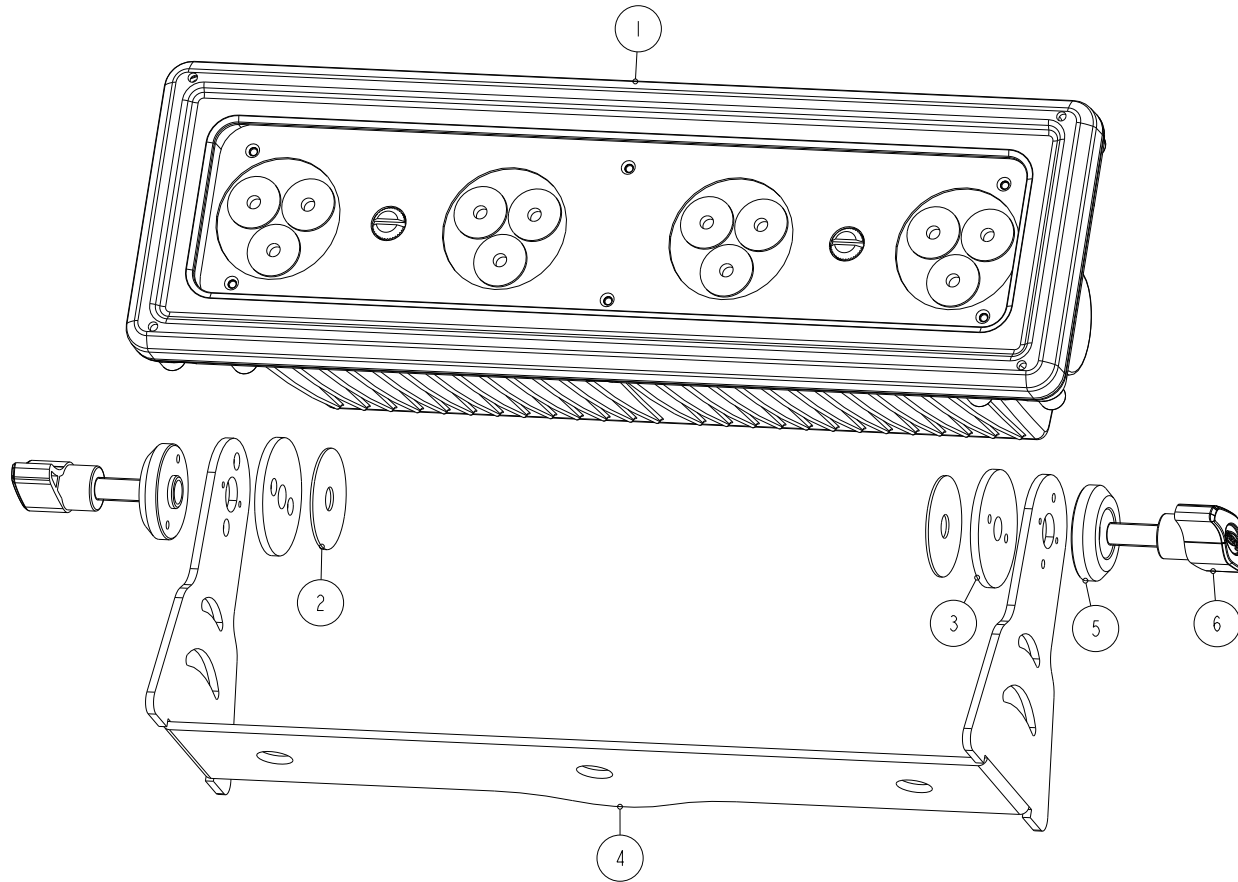
# Service manual

## ELAR TRI BRICK

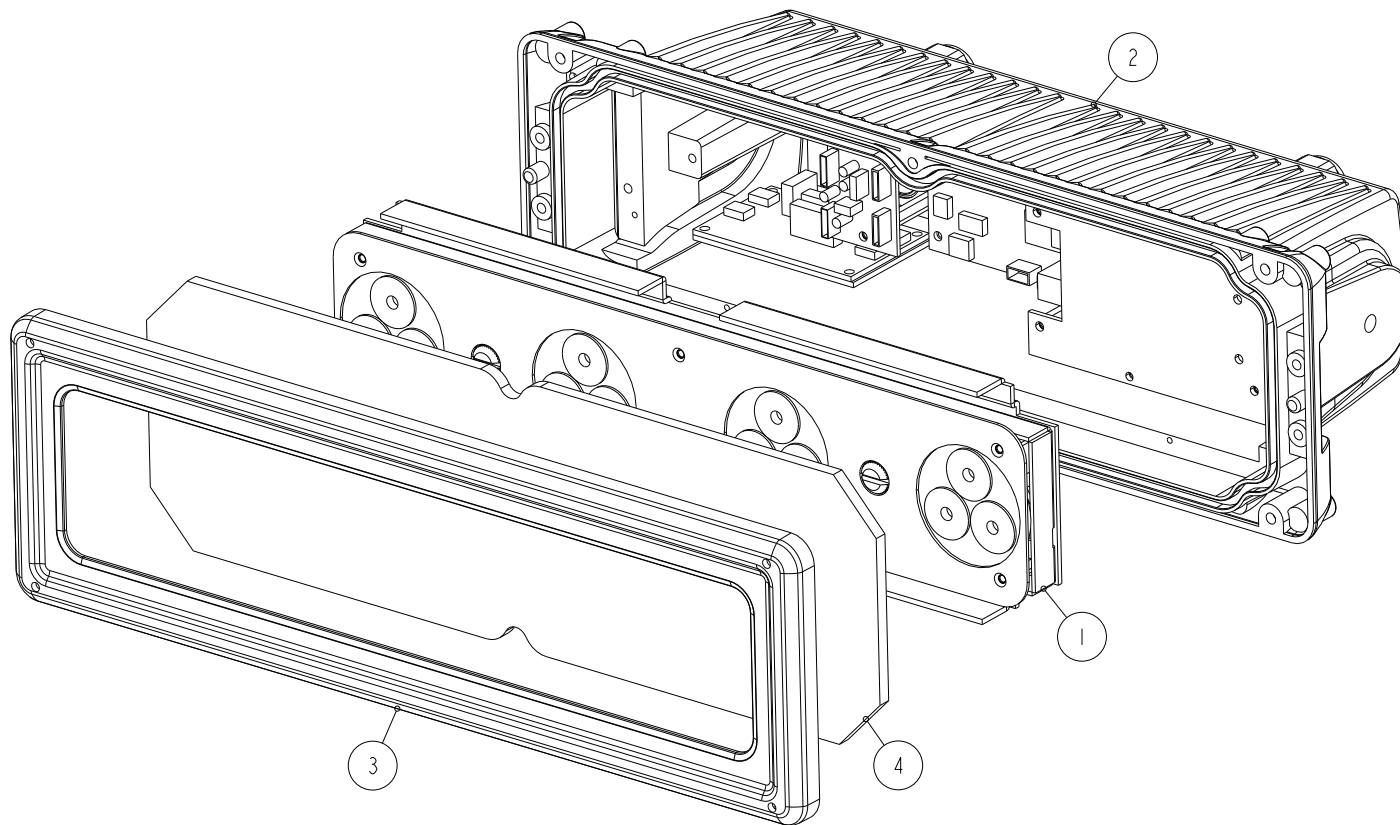
- ✘ **Exploded Diagrams**
- ✘ **Circuit Diagrams**
- ✘ **Wiring Diagrams**
- ✘ **Parts List**



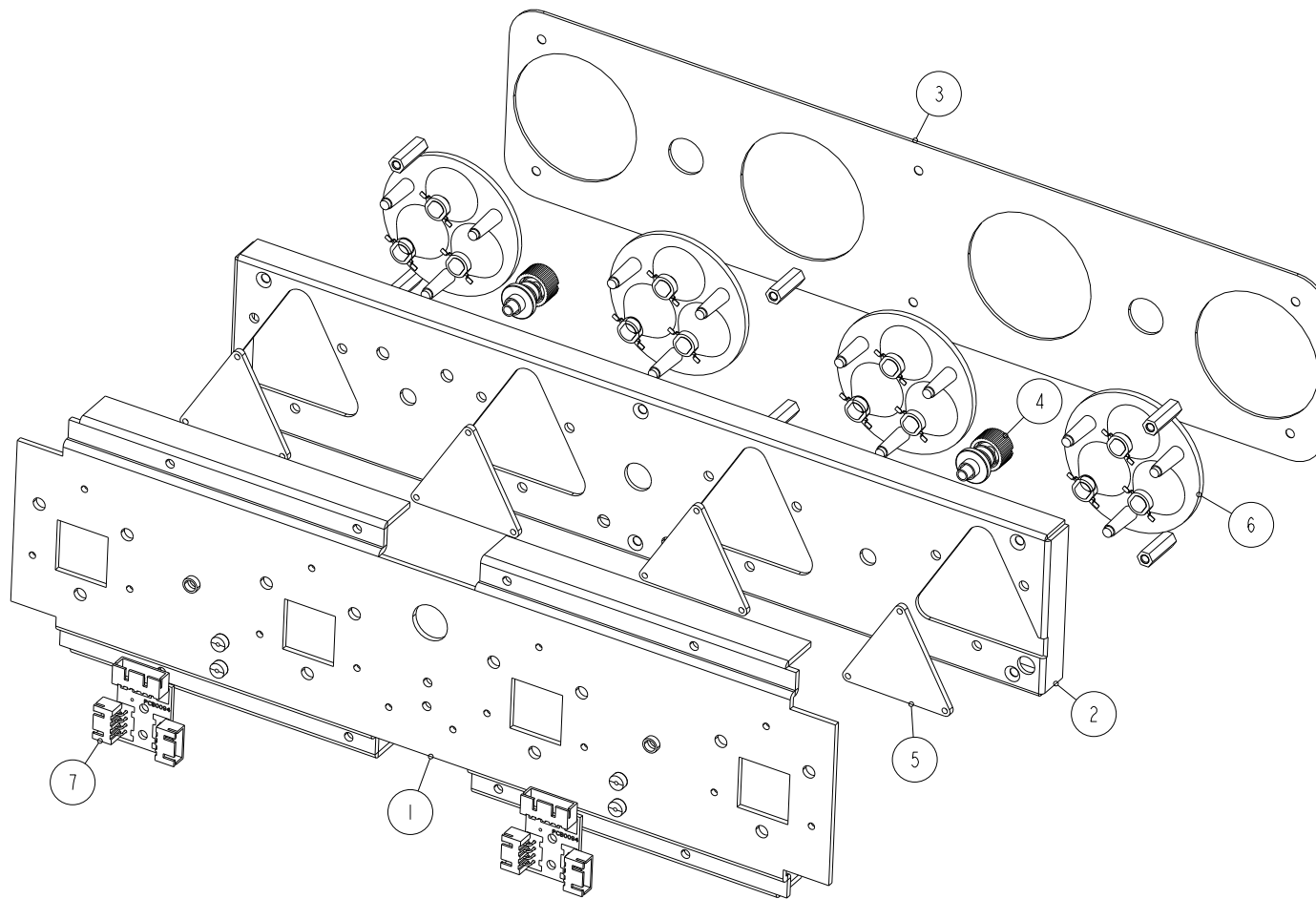
<b>PRODUCT</b>		<b>ELAR TRI BRICK</b>		
<b>PIC. NO.</b>		<b>Front Page</b>	Series No.	1201901 -2000
EDIT		FILE NO.	HY-EXP-718A	
CHECK		ORDER NO.	SO20090681	
APPROVE		VERSION	NR	SOFTWARE VER. V1.0



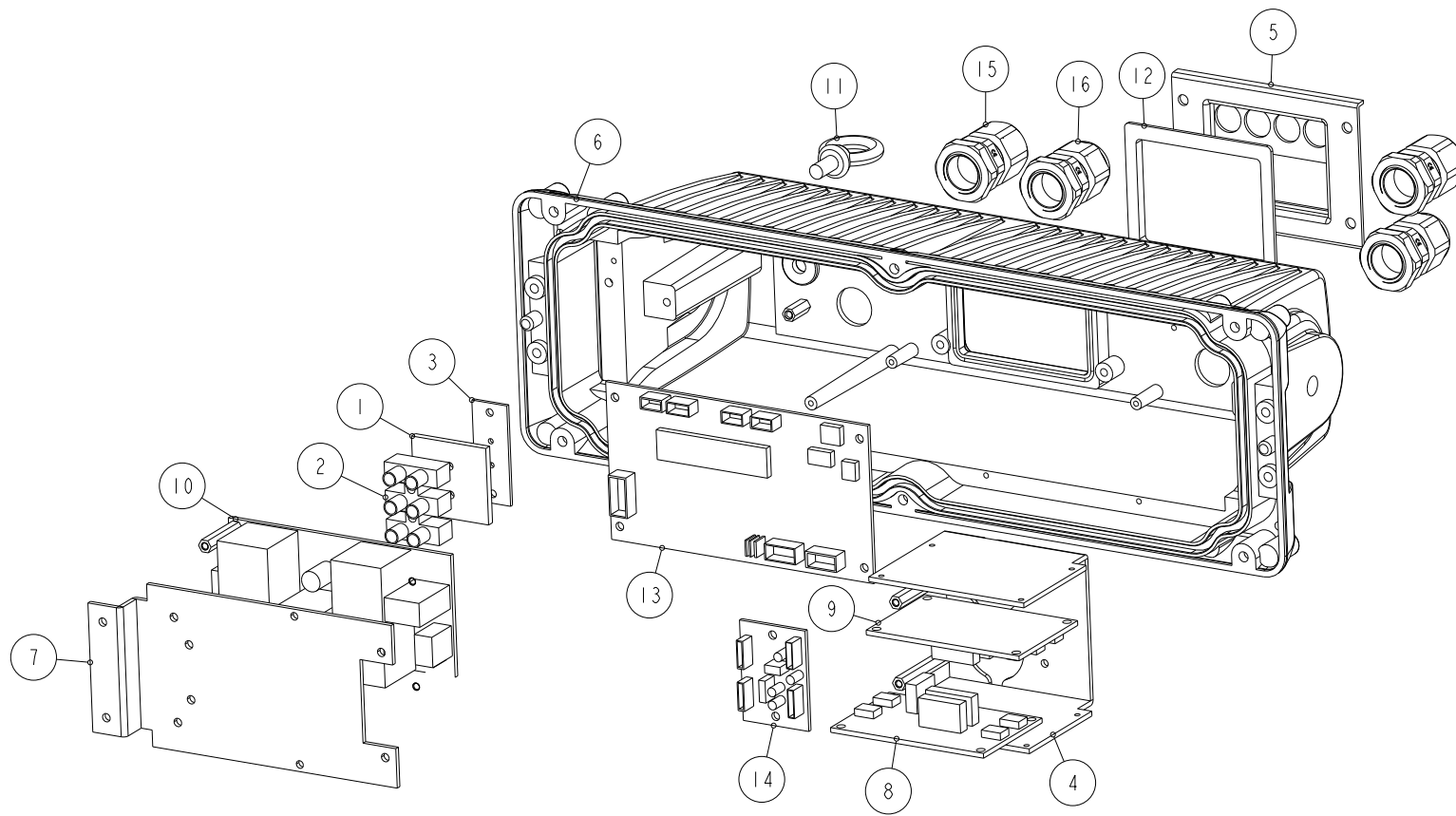
PRODUCT		<b>ELAR TRI BRICK</b>			
PIC. NO.		<b>10-0121-00-00-00</b>			
EDIT		FILE NO.	HY-EXP-718A	PAGE NO.	1/9
CHECK		VERSION	NR	DATE	2010.01.14
APPROVE		ECN NO.		DATE	



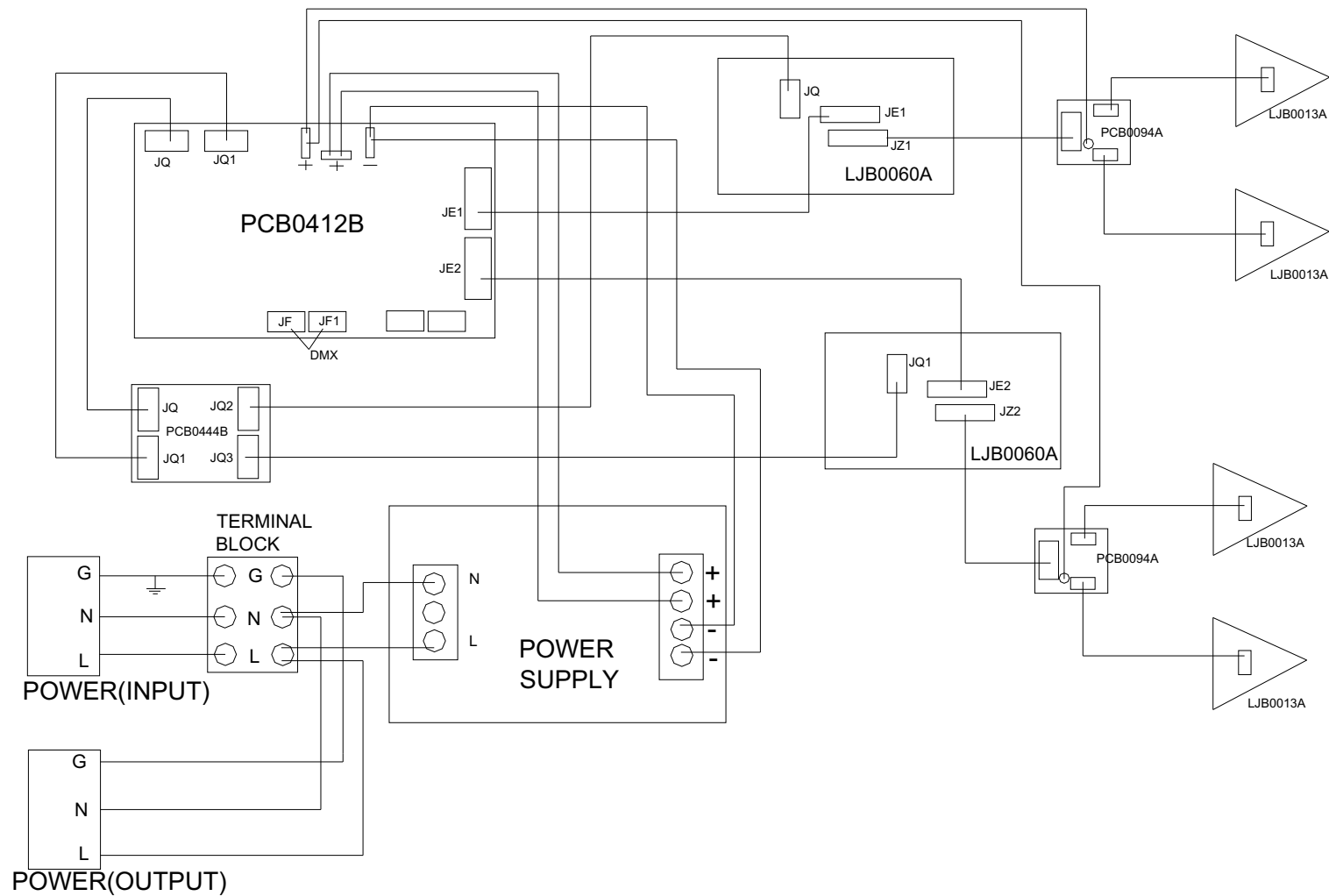
PRODUCT		<b>ELAR TRI BRICK</b>			
PIC. NO.		<b>10-0121-01-00-00</b>			
EDIT		FILE NO.	HY-EXP-718A	PAGE NO.	2/9
CHECK		VERSION	NR	DATE	2010.01.14
APPROVE		ECN NO.		DATE	



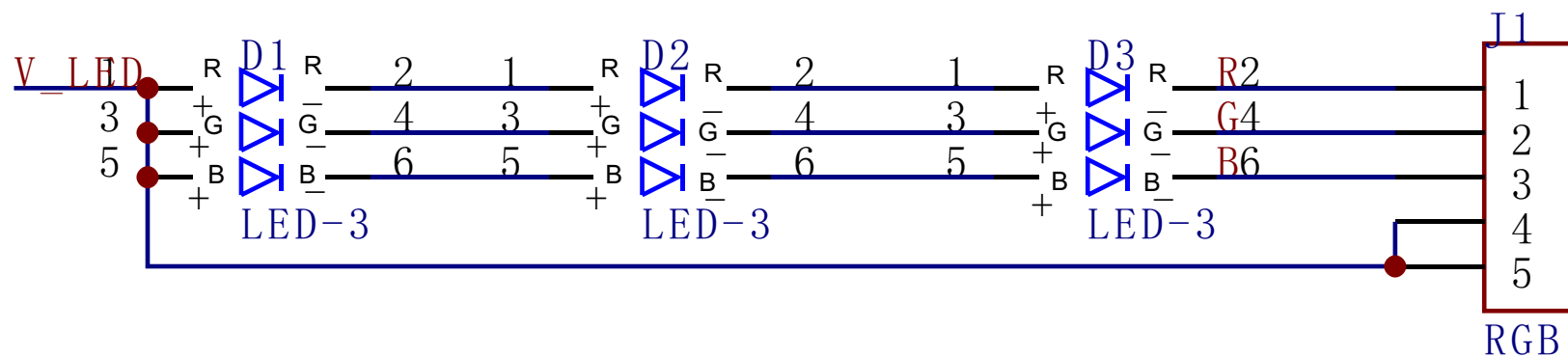
PRODUCT		<b>ELAR TRI BRICK</b>			
PIC. NO.		<b>10-0121-01-01-00</b>			
EDIT		FILE NO.	HY-EXP-718A	PAGE NO.	3/9
CHECK		VERSION	NR	DATE	2010.01.14
APPROVE		ECN NO.		DATE	



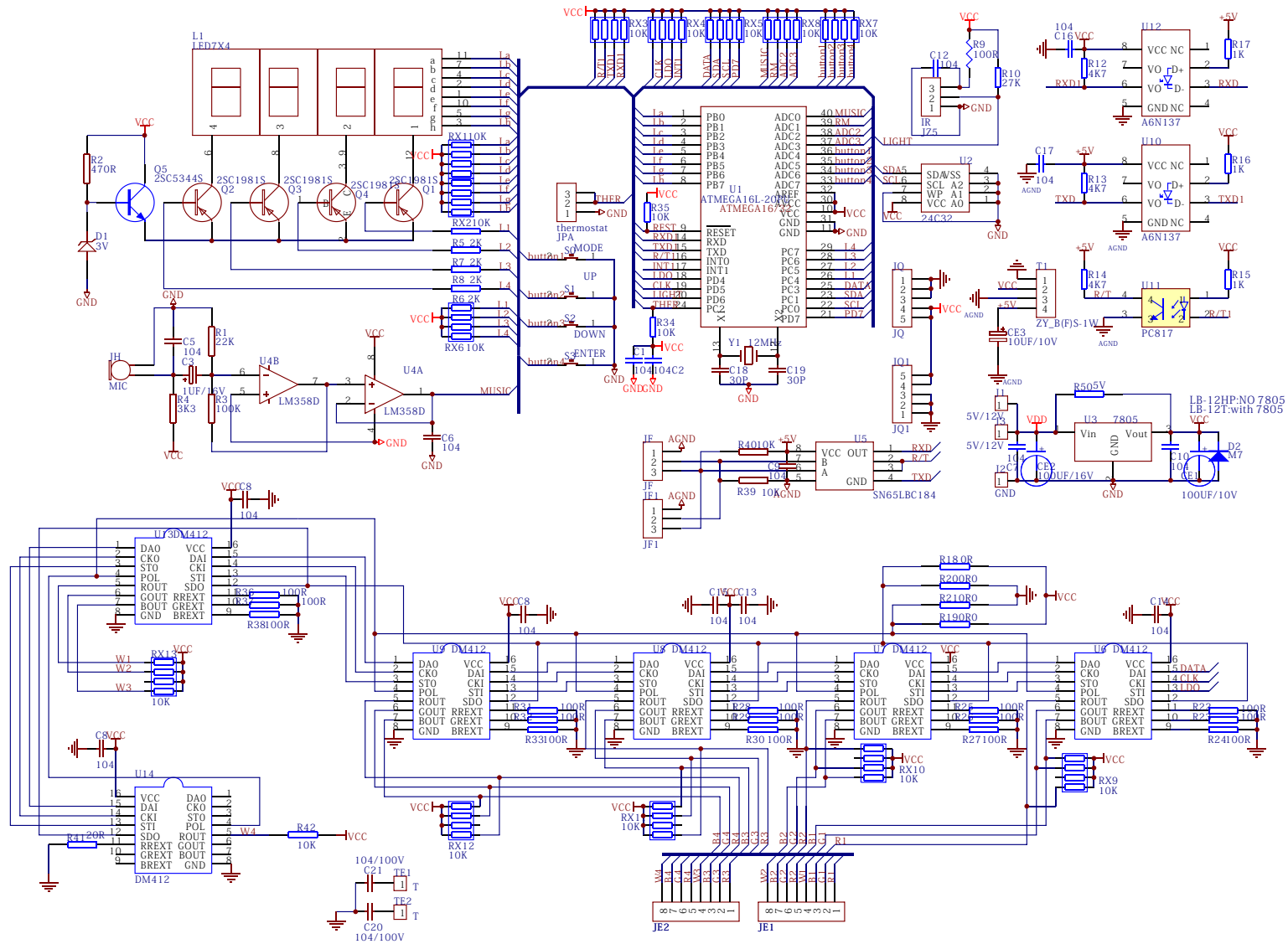
PRODUCT		<b>ELAR TRI BRICK</b>			
PIC. NO.		<b>10-0121-01-02-00</b>			
EDIT		FILE NO.	HY-EXP-718A	PAGE NO.	4/9
CHECK		VERSION	NR	DATE	2010.01.14
APPROVE		ECN NO.		DATE	



PRODUCT		<b>ELAR TRI BRICK</b>			
PIC. NO.		<b>PB 12T ELECTRIC</b>			
EDIT		FILE NO.	HY-WIJL-G061	PAGE NO.	5/9
CHECK		VERSION	NR	DATE	2010.01.14
APPROVE		ECN NO.		DATE	

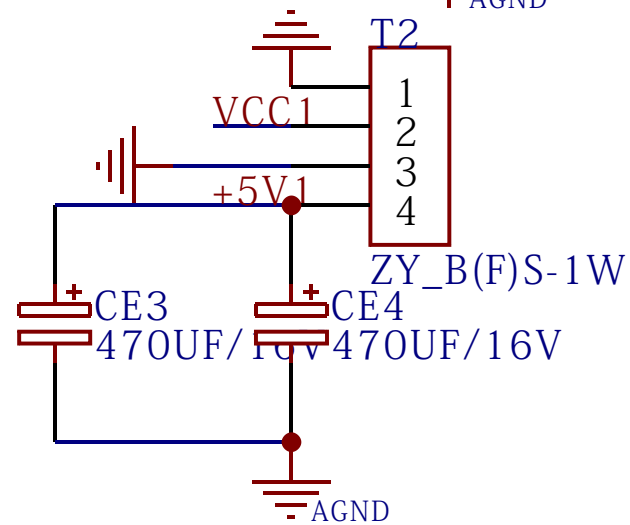
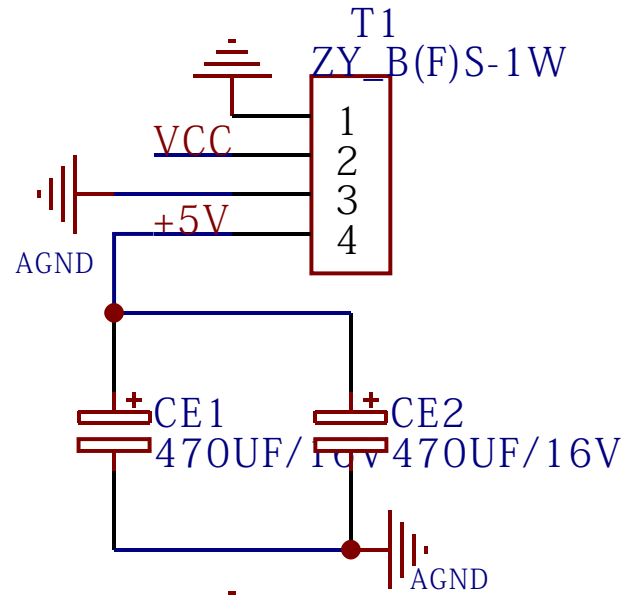
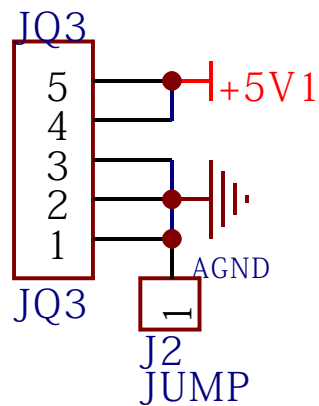
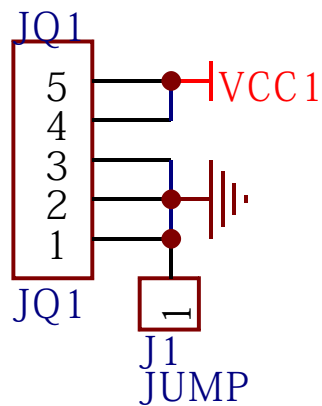
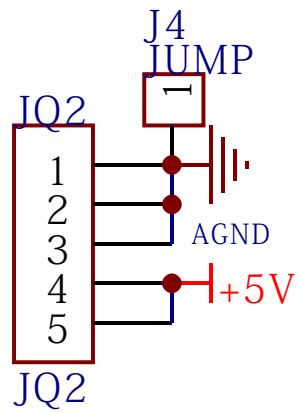
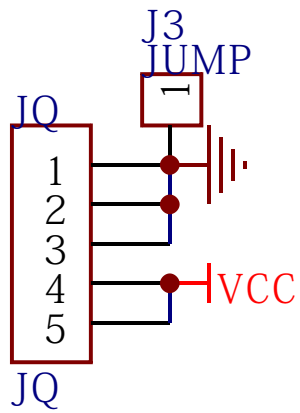


PRODUCT		ELAR TRI BRICK			
PIC. NO.		LJB0013A SCHEME			
EDIT		FILE NO.	HY-WIEC-0309	PAGE NO.	6/9
CHECK		VERSION	NR	DATE	2010.01.14
APPROVE		ECN NO.		DATE	

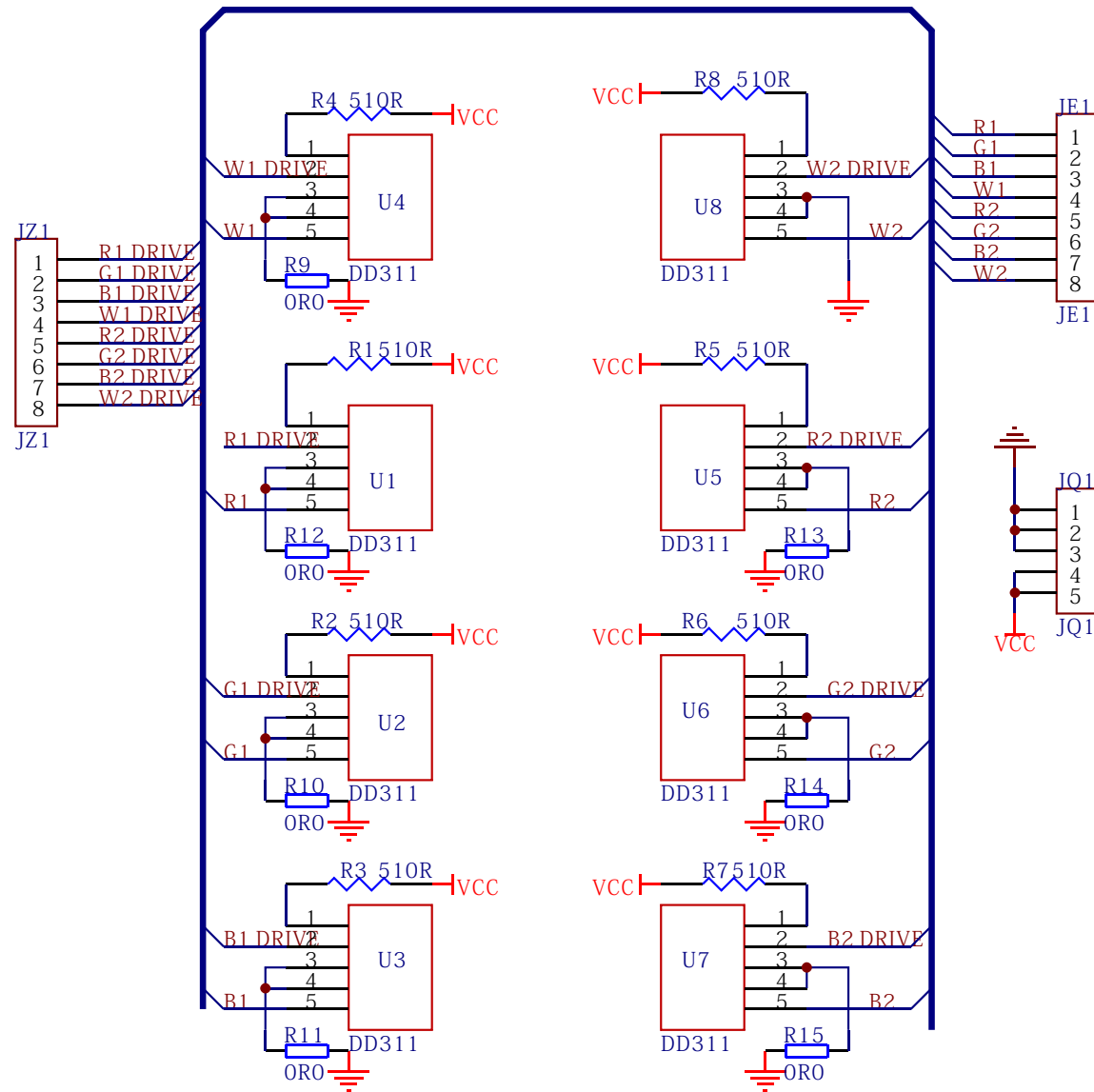


PRODUCT		ELAR TRI BRICK			
PIC. NO.		PCB0412B SCHEME			
EDIT		FILE NO.	HY-WIEC-0517	PAGE NO.	7/9
CHECK		VERSION	NR	DATE	2010.01.14
APPROVE		ECN NO.		DATE	





PRODUCT		ELAR TRI BRICK			
PIC. NO.		PCB0444B SCHEME			
EDIT		FILE NO.	HY-WIEC-0537	PAGE NO.	8/9
CHECK		VERSION	NR	DATE	2010.01.14
APPROVE		ECN NO.		DATE	



PRODUCT		ELAR TRI BRICK			
PIC. NO.		LJB0060A SCHEME			
EDIT		FILE NO.	HY-WIEC-0518	PAGE NO.	9/9
CHECK		VERSION	NR	DATE	2010.01.14
APPROVE		ECN NO.		DATE	